



THE COOLANT HEATER OF CHOICE FOR HEAVY EQUIPMENT



Standard J1939 CAN bus

ULTRA-POWERFUL COOLANT HEATER FOR DEMANDING ENVIRONMENTS

With up to 125,000 BTU of output, the Proheat M-Series is an ultra-powerful, cold weather auxiliary heating solution for heavy equipment. This diesel-powered heater preheats the engine to ensure quick and reliable starts while reducing engine wear. Proheat M-Series heaters are also powerful enough to supply supplemental heat for

hydraulics and cabin heat interior with or without the main engine running. The heater is designed to be accessible and easily serviced by technicians to help minimize down time. CAN bus connectivity means the heater can be seamlessly installed on equipment or vehicles that rely on the J1939 network standard. Trusted in the industry for years, Proheat M-Series heaters are installed on vehicles and equipment used throughout the world.

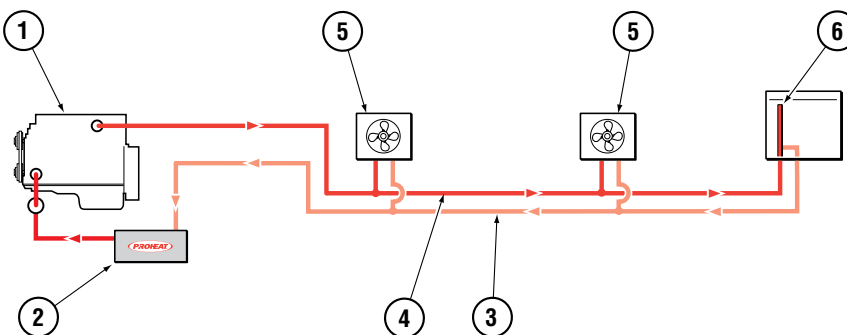
AT A GLANCE

M-SERIES HEATER FEATURES

- Diesel-powered coolant heater
- Models from 50,000 to 125,000 BTU/hr (15 to 37 kW)
- Engine preheat reduces start-up wear and tear
- Generates supplemental heat for hydraulics and operators
- Optional control of an external coolant pump
- Two year parts and labor warranty

STANDARD FEATURES

- Standard J1939 CAN bus
- USB connectivity
- Integrated diagnostic indicator
- Dual mode temperature sensor
- Up or Down Exhaust available

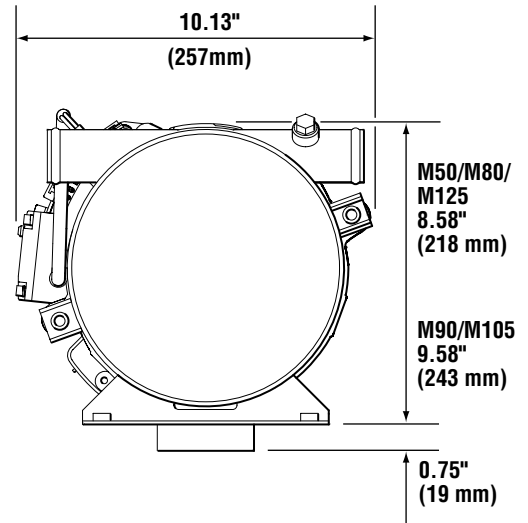
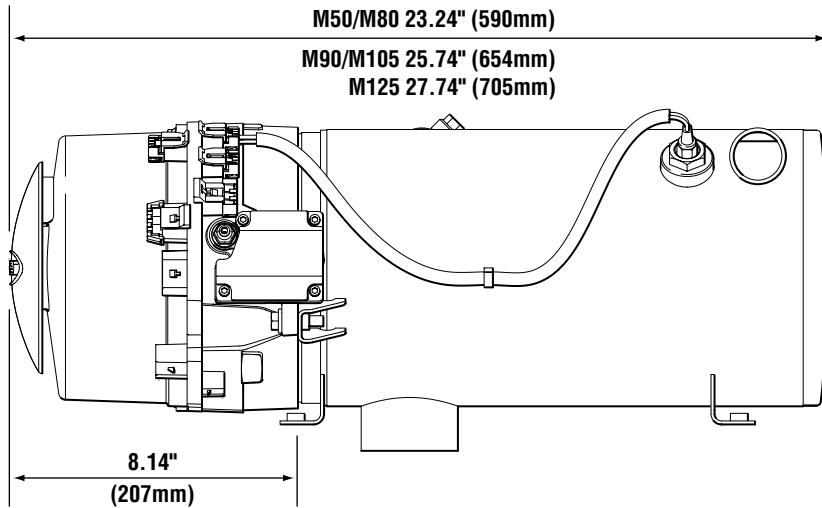


- 1 Engine
- 2 Proheat M-Series
- 3 Return to Proheat
- 4 Supply from Proheat/Engine
- 5 Heater core with fan
- 6 Heat Probe





SPECIFICATIONS



MODEL	M50	M80	M90	M105	M125
RATING BTU/hr (kW)	50,000 (15)	80,000 (23)	90,000 (26)	105,000 (31)	125,000 (37)
SYSTEM VOLTAGE Nominal DC Voltage (Range)	12V/24V (10-15/20-30)	12V/24V (10-15/20-30)	24V (20-30)	24V (20-30)	24V (20-30)
CURRENT DRAW – Amps	9.5/5.2	8.5/5.2	5.2	9.5	9.5
FUEL CONSUMPTION US gal/hr (L/hr.)	0.48 (1.80)	0.78 (2.95)	0.78 (2.95)	1.05 (3.97)	1.10 (4.16)
IGNITION TYPE	Electronic Spark Ignition				
FUEL TYPES	ULSD, Diesel #1, Diesel #2, JP8, Jet A1, Arctic, Biodiesel B1-B20*				
COOLANT OUTPUT TEMP.	+150°F to +185°F (+65°C to +85°C) <i>Optional set points available</i>				
AMBIENT TEMPERATURE	- 40°F to +122°F (-40°C to +50°C)				
WEIGHT lbs (Kg)	53 (24)	53 (24)	57.5 (26)	57.5 (26)	60 (27.2)
HEAT EXCHANGER CAPACITY US gal (L)	0.5 (2)	0.5 (2)	0.6 (2.3)	0.6 (2.3)	0.7 (2.6)
COOLANT SYSTEM Min. Capacity/Recommended Flow Rate Through Heater US gal (L)	7.5 (28)	12 (45)	13.2 (50)	15.8 (60)	18 (68)
Max. Coolant Pressure PSI (Bar)	29 (2)	29 (2)	29 (2)	29 (2)	29 (2)

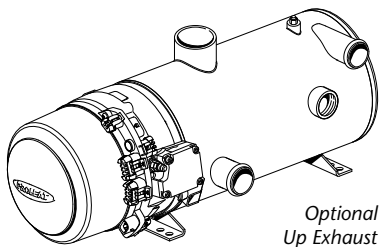
M-Series heater with install kit.



A removable burner head provides easy access for technicians and minimizes service down time.

Please Note: *Optional set points available. Specifications are subject to change without notice.*

* *Limited service life above B5, increased inspection frequency required.*



Optional Up Exhaust



Proheat is registered trademark of Marine Canada Acquisition Inc. and its subsidiary companies.

